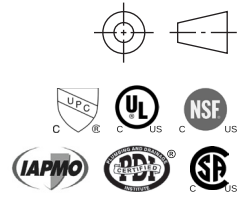
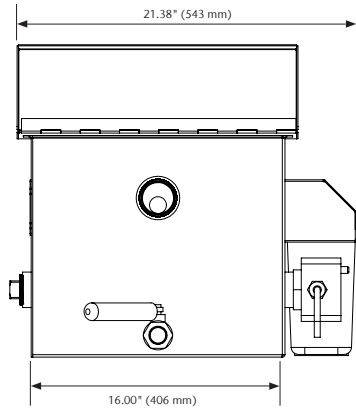


Goslyn - GOS60



Specification Clause

Shall be a Goslyn Model: GOS60 grease removal device / immiscible liquid separator which continuously operates under hydro static pressure with no moving parts. Is made of 2 mm, 304 stainless steel and comes standard with an immersion heater. It has a capacity of 15 gallons per minute and meets the industry codes and standards including UL, IPC, UPC, IRC, NPC, ASME A112.14.3, ASME A1123.14.4, PDI G101, and CSA B481.1

Electrical Requirements

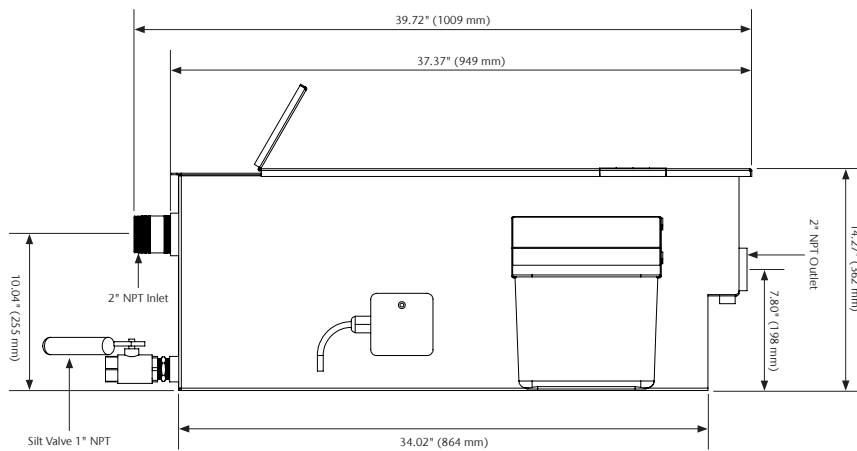
- 110 Volt, 1000 Watts, 9 Amps within 5' of unit

Required Clearances

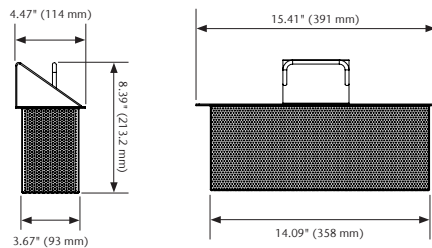
- Headroom needed above strainer basket: 12"
- 2" inlet
- 2" outlet
- Access to front Oil Cassette
- Access to hinged lid for Oil Valve

The Goslyn Outlet may discharge either indirectly (e.g., into a floor sink) or directly to a drain pipe.

ACO recommends checking local plumbing codes prior to installation.



Strainer Basket



	Part No.	ACRD Separator	Weight lbs
GOS60	139560	15 GPM	115.0

ACO, Inc.

West Sales Office
 825 W. Beechcraft Street
 Casa Grande, AZ 85122
 Tel: (520) 421-9988
 Toll-Free: (888) 490-9552
 Fax: (520) 421-9899

goslyn@aco.com
 www.acousa.com
 www.goslyn.com



© April 2022 ACO, Inc.
 All reasonable care has been taken in compiling the information in this document. All recommendations and suggestions on the use of ACO products are made without guarantee since the conditions of use are beyond the control of the company. It is the customer's responsibility to ensure that each product is fit for its intended purpose and that the actual conditions of use are suitable. ACO, Inc. reserves the right to change products and specifications without notice.

ACO. we care for water



ACO Specification Information