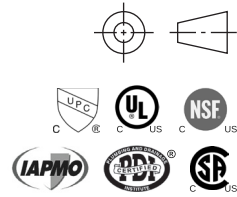
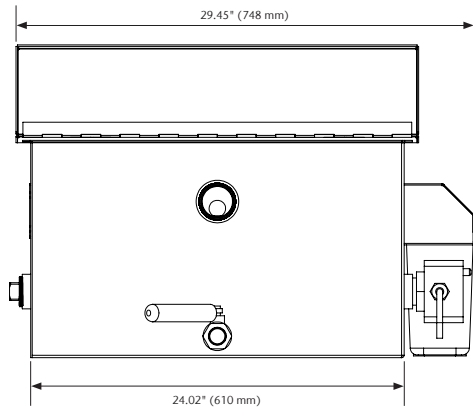


Goslyn - GOS80LP



**Specification Clause**

Shall be a Goslyn Model: GOS80LP grease removal device / immiscible liquid separator which continuously operates under hydro static pressure with no moving parts. Is made of 2 mm, 304 stainless steel and comes standard with an immersion heater. It has a capacity of 25 gallons per minute and meets the industry codes and standards including UL, IPC, UPC, IRC, NPC, ASME A112.14.3, ASME A1123.14.4, PDI G101, and CSA B481.1

**Electrical Requirements**

- 110 Volt, 1000 Watts, 9 Amps within 5' of unit

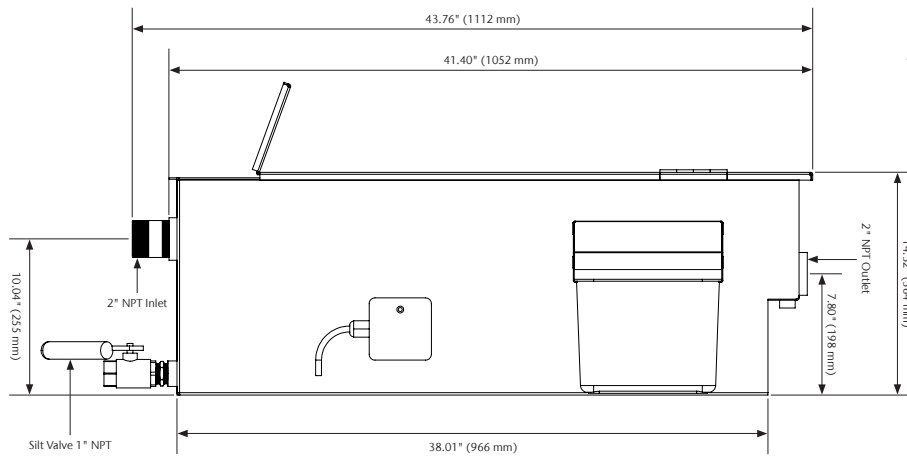
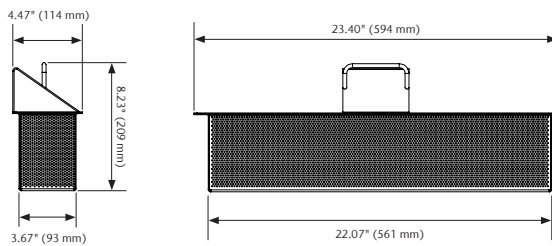
**Required Clearances**

- Headroom needed above strainer basket: 12"
- 2" inlet
- 2" outlet
- Access to front Oil Cassette
- Access to hinged lid for Oil Valve

The Goslyn Outlet may discharge either indirectly (e.g., into a floor sink) or directly to a drain pipe.

ACO recommends checking local plumbing codes prior to installation.

**Strainer Basket**



	Part No.	AGRD Separator	Weight lbs
GOS80LP	<b>139586</b>	25 GPM	148.0

**ACO, Inc.**

West Sales Office  
 825 W. Beechcraft Street  
 Casa Grande, AZ 85122  
 Tel: (520) 421-9988  
 Toll-Free: (888) 490-9552  
 Fax: (520) 421-9899

goslyn@aco.com  
 www.acousa.com  
 www.goslyn.com



© April 2022 ACO, Inc.  
 All reasonable care has been taken in compiling the information in this document. All recommendations and suggestions on the use of ACO products are made without guarantee since the conditions of use are beyond the control of the company. It is the customer's responsibility to ensure that each product is fit for its intended purpose and that the actual conditions of use are suitable. ACO, Inc. reserves the right to change products and specifications without notice.

ACO. we care for water



ACO Specification Information