

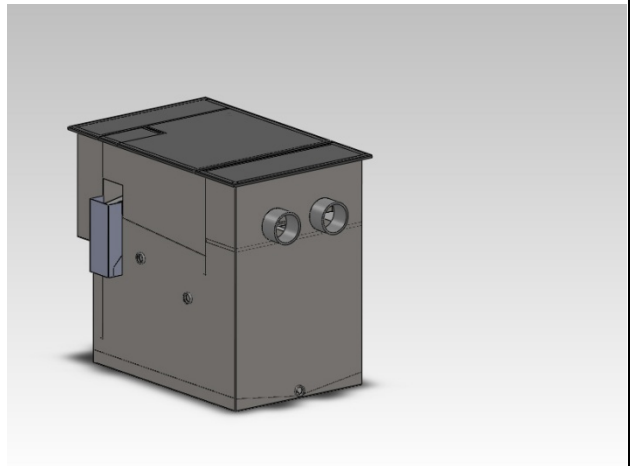


goslyn™ MODEL GOS600 250 GPM Grease Removal Device

GOS600 – Standard Features:

- Heavy duty 2.5 mm, 304 Stainless Steel exterior construction
- Neoprene seals on base of unit
- Two Immersion heaters (UL listed) to keep effluent warm during idle periods
- Dual Strainer baskets to prevent solid debris from entering the drain pipes
- Easy access hinged lid compartments
- No moving parts
- Manufactured to ASME A112.14.3 and ASME A112.14.4 standards
- Five Year Limited Warranty

Model: GOS600
Capacity: 250 Gallons / Minute



Short Form Specification

Shall be a Goslyn Model: GOS600 grease removal device / immiscible liquid separator which continuously operates under hydro static pressure with no moving parts. Is made of 2.5 mm, 304 stainless steel and comes standard with two (2) immersion heaters. It has a capacity of 250 gallons per minute.

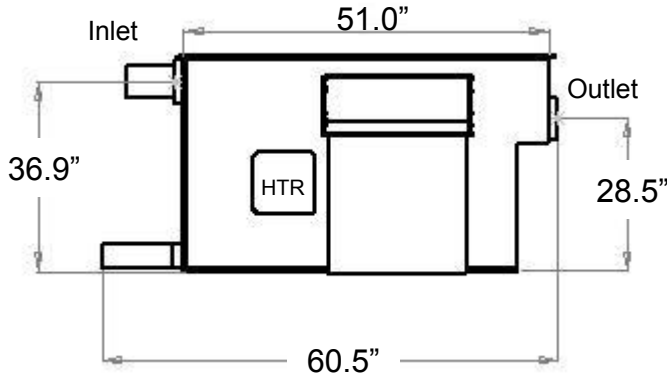


Goslyn LP
1904 University Business Dr
Suite 310
McKinney TX 75071

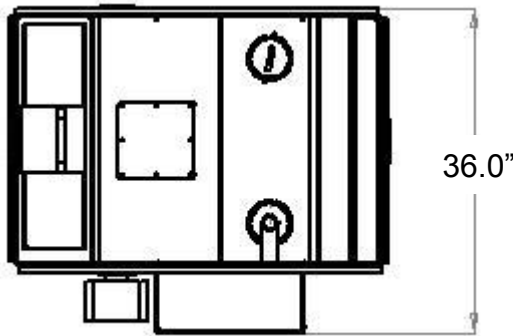
Phone: 888-648-5040
Fax: 214-618-3765
www.goslyn.com



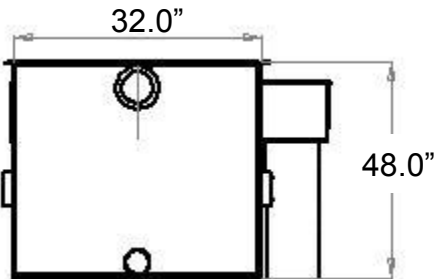
goslyn™ MODEL GOS600 250 GPM Oil Recovery Device



Front View



Top View



Side View

Model:	GOS600
Shipping Dimensions	51" X 32" X 48 " 129.5 cm X 81.3 cm X 121.9 cm
Shipping Weight	400 lbs. / 181.4 Kg
Required Clearances	<ul style="list-style-type: none"> • Headroom needed above strainer basket: 12" • Two (2) 6" inlet openings • Two (2) 6" outlet openings • Access to front Oil Container • Access to hinged lid for Oil Valve
Electrical Requirements:	Two (2)- 110 Volt, 1000 watts, 9 Amps within 5 feet of unit



Goslyn LP
1904 University Business Dr
Suite 310
McKinney TX 75071

Phone: 888-648-5040
Fax: 214-618-3765
www.goslyn.com